

▶ KDK911424M
KDE911424M
KDE911424B
KDK912924M
KDE912924M
KDK911424T

EN **User Manual**
Warming Drawer

02

USER MANUAL



AEG

CONTENTS

1.	SAFETY INFORMATION.....	3
2.	APPLIANCE DESCRIPTION	8
3.	USE	9
4.	CLEANING AND MAINTENANCE	11
5.	WHAT SHOULD I DO IF THE WARMING DRAWER DOESN'T WORK?12	
6.	INSTALLATION INSTRUCTIONS	12
7.	ENVIRONMENTAL PROTECTION	13

DESIGNED FOR YOU

Thank you for purchasing an Aeg appliance. You have chosen a product that brings with it decades of professional experience and innovation. Ingenious and stylish, it has been designed with you mind. So whenever you use it, you can be safe in the knowledge that you'll get great results every time. Welcome to Aeg.

Visit our website to:



Get usage advice, brochures, troubleshooting and service information:
www.aeg.com



Register you product for better service:
www.aeg.com/productregistration



Buy accessories, consumables and original spare parts for your appliance:
www.aeg.com/shop

CUSTOMER CARE AND SERVICE

We recommend the use of original spare parts.

When contacting Service, ensure that you have the following data available.

The information can be found on the appliance dataplate. Model, PCN, Serial Number.



Warning / Caution - Safety information



General information and tips



Environmental information.

Subject to change without notice.

1. SAFETY INFORMATION

Carefully read the instructions before installing and using the equipment. The manufacturer is not liable for property damage or personal injury resulting from improper installation and use of the equipment. Always keep the instructions at hand, so they can be easily referred to during use. This appliance complies with applicable safety standards. Improper use of the appliance may put users, bystanders and property at risk.

1.1 Safety of children and vulnerable adults



WARNING!

Risk of suffocation, injury or permanent disability.

- This appliance may be used by children aged 8 years and over and persons with reduced physical, sensory or mental capabilities or lack of experience and knowledge as long as they are given supervision or instructions concerning how to use the appliance in a safe way and understand the hazards involved.
- Children should not play with the appliance. Keep children under the age of three away from the appliance.
- Keep packaging materials out of reach of children.
- Keep children and pets away from the appliance during operation or cooling. The accessible parts are red hot.
- Cleaning and maintenance should not be performed by unsupervised children.
- Keep the appliance and its cable out of reach of children under the age of eight.

1.2 General safety warnings

During use, the appliance becomes hot. Care should be taken to avoid touching heating elements inside the device. Always use oven gloves to insert or remove accessories or oven-proof cookware.

- Depending on temperature selected and the operating time, the temperature inside the appliance may reach 80°C. When taking crockery out of the crockery warmer, protect your hands using oven gloves or a tea towel.
- Do not sit or hang on the drawer – the telescopic runners would be damaged. The maximum load capacity of the drawer is 15 kg.
- Do not store synthetic containers or flammable objects inside the crockery warmer. When you switch on the appliance such containers and objects may melt or catch fire. Fire hazard!
- Do not use the appliance as a space heater. The high temperatures reached could cause flammable objects close to the appliance to catch fire.
- When you stop using the appliance at the end of its working life, disconnect it from the power supply and render the electrical cable unusable so that it is not a hazard to children, for example.

1.3 Installation

- Refer to the installation instructions supplied separately.
- The installation must ensure protection against direct contact with live parts.

- The electric system must be equipped with an isolation switch providing all-pole contact separation which provides for full disconnection under overvoltage category III.
- A plug must be used for the electrical connection; this must remain accessible after installation.
- ⚠ Warning! Before connecting the appliance, compare the power supply data (voltage and frequency) indicated on the data plate with those of the mains supply. If these data do not match there may be problems. In case of doubt, contact an electrician.
- ⚠ Warning! If the appliance is to be connected without using a plug (hard-wired), the appliance must be installed and connected by a technician. Contact a qualified electrician who will perform the work in accordance with electrical code and comply with all provisions of this manual. The manufacturer cannot be held responsible for damage resulting from installation or connection errors.
- ⚠ Warning! The electrical safety of the appliance can only be guaranteed if it is properly earthed. The manufacturer cannot be held responsible for damage resulting from the absence of or defects in the installation's protective earthing system (e.g. electrical shock).
- ⚠ Warning! Only use the appliance once it has been fully installed. Only full and final installation within the kitchen unit carcass can ensure that there is no risk of contact with live parts.

- ⚠ WARNING! Never open the appliance's structure. Potential contact with live parts or any modifications to the electrical and mechanical structure can lead to hazardous situations for users and compromise correct operation of the appliance.

1.4 Cleaning

- Do not use harsh abrasive cleaners or metal scrapers/scourers to clean the device since they can scratch the surface.
- Do not use steam cleaners to clean the appliance.
- Do not use high pressure or steam jet cleaning devices. The steam may affect electrical components and cause a short circuit. The steam pressure may also cause damage to the appliance's surface and components in the long time.

1.5 Repairs

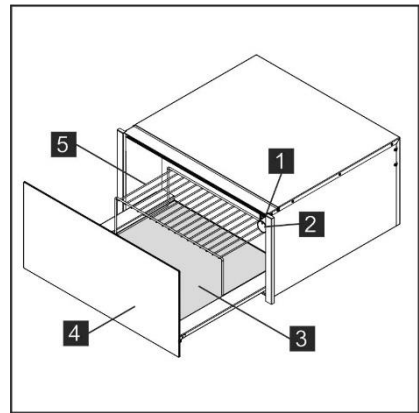
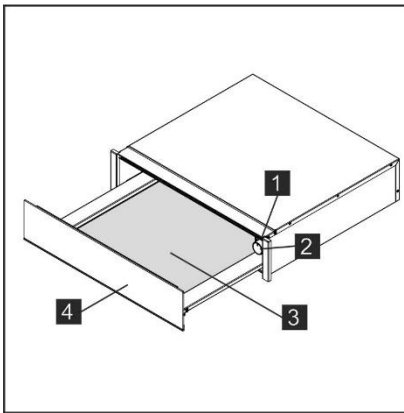
- If the appliance's power supply cable is damaged, it must be replaced by the manufacturer, by an authorised technician or by a qualified electrician in order to negate any potential hazards.
- ⚠ Warning! The appliance must be isolated from the electricity supply when installation and repair work is being performed. To disconnect the appliance from the current, one of the following conditions must be met:
 - The relevant fuses / circuit breakers at the switchboard must be disconnected.
 - The plug should be removed from the socket. To remove the plug from the socket do not pull on the electric cable but rather pull out the plug itself directly.

- ⚠ Warning! Repairs and maintenance, especially of live components, must only be performed by technicians authorised by the manufacturer. The manufacturer and retailer do not accept responsibility for any injury to people or animals or damage to personal property as a result of repairs and maintenance carried out by non-authorised personnel.
- ⚠ Warning! Repairs undertaken during the warranty period must only be performed by technicians authorised by the manufacturer. If this is not the case then any damage resulting from the repair in question shall be excluded from the guarantee.

2. APPLIANCE DESCRIPTION

2.1 Main components

- 1** On/Off switch and light
- 2** Thermostat
- 3** Non-slip base
- 4** Front panel with push-push mechanism or handle
- 5** Support rack (depending on the model)



2.2 How the warming drawer works

This appliance is equipped with a warm air circulation system. A fan distributes the heat generated by an electrical heating element throughout the interior of the appliance.

The thermostat allows the user to set and control the temperature for the crockery. The circulating hot air that is generated heats up the crockery quickly and evenly.

A protective grille prevents accidental contact with the heating element and fan. The base of the drawer is covered with non-slip material to stop dishes from moving when the drawer is opened or closed.

3. USE

3.1 Before First Use

Before using the appliance for the first time you should clean the interior and the exterior, following the cleaning instructions given in the section "Cleaning and maintenance".

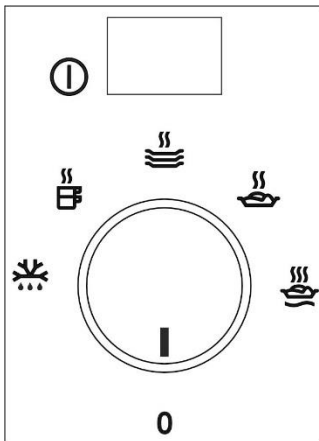
Remove the non-slip base.

Then heat the warming drawer for at least 2 hours. To do this, turn the temperature control to the maximum position (see section "Selecting temperature").

Make sure the kitchen is well-ventilated when you are doing this.

The appliance's parts are treated with a special product. This may cause an unpleasant odour to be released during this initial heating. Both the odour and any fumes that may form will disappear after a short time and neither signifies that there is anything wrong with the connection or the appliance.

3.2 Control panel



The control panel has a selector and an on/off switch. The control panel is only visible when the drawer is open.

3.3 Using the warming drawer

To use the warming drawer, proceed as follows:

- Place the crockery in the drawer.
- Do not arrange plates vertically in front of the ventilation slots.
The warm air would not be able to fully escape from the slots. This would lead to uneven heating of crockery.
- Select the desired function by turning the thermostat knob to the corresponding position.
- Switch on the appliance by pressing the switch; the corresponding light will come on.
- Close the drawer.

Be careful not to use too much force when closing the drawer since it may open up again. Before taking out the warm crockery you must switch off the warming drawer by pressing the switch again.






3.4 Function Selection

The thermostat knob allows you to select temperatures between 30 and 80°C.

Do not force the thermostat knob to the left beyond the "0" position, or to the right beyond the maximum temperature, as this could damage it.

As soon as the selected temperature is reached, the heating element will turn off. When the temperature drops back below the selected value, the heating element will turn on again.

The temperature scale is marked with absolute temperatures in °C and also has symbols which correspond to the optimum temperatures for groups of crockery:

Symbol	°C (*)	Function	Warning
	30°C	Defrosting. Dough proving. Yoghurt fermentation.	- Cover the dough. Cover the tub.
	45°C	Warming cups and glasses.	-
	60°C	Warming dinner plates. Reheating delicate foodstuffs.	- Preheat the dish.
	70°C	Keeping foodstuffs warm.	Preheat the dish and cover the food.
	80°C	Reheating foodstuffs.	Preheat the dish.

* The temperatures refer to the drawer when empty and closed.

3.5 Heating times

Various factors affect heating times:

- The material and thickness of the crockery
- Load size
- How the crockery is arranged
- Temperature setting
- Repeated opening and closing of the drawer

It is therefore not possible to give precise heating times.

As you use the warming drawer regularly, you will learn the best settings for your crockery.

Suggestions for the “keep warm” and “reheat” function:

Preheat the warming drawer for 15 minutes to ensure it is at the required internal temperature.

4. CLEANING AND MAINTENANCE

Cleaning is the only maintenance activity that is generally required.



WARNING!

The warming drawer must be disconnected from the power supply before cleaning. Unplug the device from the socket or isolate its power supply circuit.

Do not use harsh or abrasive cleaning products, scouring pads/sponges or sharp objects, since this could cause stains or scratches.

Never use high pressure or steam jet cleaning appliances.

4.1 Appliance front and control panel

The warming drawer can be cleaned using just a damp cloth. If it is very dirty, add few drops of washing-up liquid to the water.

Wipe the surfaces dry using a dry cloth.

For stainless-steel fronted warming drawers, special products for stainless-steel surfaces can be used.

These products prevent the build-up of dirt on such surfaces. Apply a thin layer of this product on the surface using a soft cloth.

On aluminium fronted warming drawers, use a delicate glass cleaning product and a soft, lint-free cloth. Wipe horizontally without applying.

4.2 Interior of the warming drawer

Clean the interior of the warming drawer regularly using a damp cloth. If it is very dirty, add few drops of washing-up liquid to the water.

Wipe the surfaces dry using a dry cloth. Avoid water entering the air circulation opening.

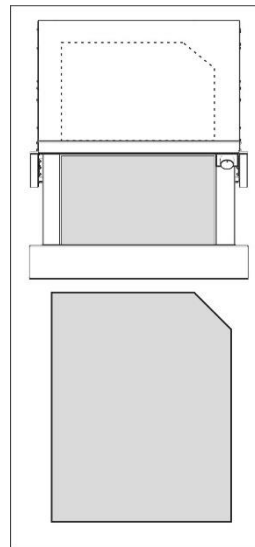
Only use the warming drawer again when it is completely dry.

Non-slip base

The non-slip surface mat can be removed to facilitate cleaning of the drawer.

The mat can be cleaned by hand using hot water with a few drops of washing-up liquid. Dry thoroughly.

The non-slip mat should only be replaced when it is completely dry.



5. WHAT SHOULD I DO IF THE WARMING DRAWER DOESN'T WORK?



WARNING!

Any repairs must only be performed by a specialised technician. Any repair performed by a person not authorised by the manufacturer is potentially dangerous.

However, the following faults can be resolved by the user without calling Technical Assistance.

Before contacting Technical Assistance, check on the following:

- **The crockery does not warm up sufficiently. Check whether:**
 - The appliance is on
 - The appropriate temperature has been selected
 - The air circulation orifices are blocked by the crockery
 - The crockery was left to warm up for sufficient time
- **Heating time depends on several factors, such as, for example:**
 - The material and thickness of the crockery
 - Load size
 - How the crockery is arranged
- **The crockery does not heat up at all. Check whether:**
 - You can hear the noise of the fan. If the fan is running, this means that the heating element is defective. If the fan is not running, this means that it is faulty
 - The fuse has blown or the circuit breaker has tripped
- **The crockery is too hot:**
 - The temperature selector is not working
- **The on/off switch does not light up:**
 - The switch indicator light has blown

6. INSTALLATION INSTRUCTIONS

6.1 Before installation

Check that the supply voltage indicated on the data plate is the same as that provided by the power socket you plan to use.

Open the drawer, take out all the accessories and remove the packaging material



WARNING!

The front surface of the warming drawer may be covered in a protective film. Carefully remove this film before using the warming drawer for the first time. Ensure that the warming drawer is not damaged in any way. Check that the drawer opens and closes correctly. If damage is encountered, inform Technical Assistance.



WARNING:

The power socket should be easily accessible after the warming drawer has been installed.

The warming drawer should only be installed in combination with the appliances specified by the manufacturer. If it is fitted in combination with other appliances, the guarantee will be void since it is impossible to guarantee that the warming drawer will work correctly.

6.2 Installation



Refer to the installation instructions supplied separately.

Installing the warming drawer in combination with another appliance requires be a fixed intermediate shelf in the carcass to support the weight of both appliances.

The appliance to be installed in combination with the warming drawer will be installed directly on top of it. Follow the instructions given in the corresponding instruction and installation booklet for installation of the combined appliance.

6.3 Electrical connection

Electrical installation must be performed by a qualified electrician.

Before connecting the warming drawer to the mains electricity supply, check that the voltage and frequency of the mains supply matches that shown on the data plate inside the appliance.

The electrical connection should be made via an omnipolar switch rated for the current capacity with minimum 3 mm contact separation, in order to provide isolation in emergencies or when cleaning the warming drawer.

The connection must be suitably earthed.



WARNING:

The warming drawer must be earthed.

If the appliance flex requires replacement, contact Technical Assistance or an authorised service centre, as specialised tools are required. The manufacturer and retailer do not accept responsibility for any injury to people or animals or damage to personal property as a result of failure to follow the supplied installation instructions.

7. ENVIRONMENTAL PROTECTION



Recycle materials with the following symbol. Place the packaging in the corresponding containers for recycling. Help protect the environment and human health and to recycle waste from electrical and electronic appliances.



Do not dispose of appliances marked with the following symbol with general household waste. Take the product to your local recycling facility or contact your local council.

www.aeg.com/shop



CE

AEG